

NOMINAL AIRFLOW (CFM)			FULL LOAD AMPS
LOW	MED	HIGH	115 V
80	120	150	3.5

STANDARD CONSTRUCTION:

- ZINC COATED 20 GAUGE STEEL HOUSING.
- WHITE POWER COAT FINISH FOR DIFFUSER, 1000 HR SALT SPRAY RATED.
- 9' 115V POWER CORD.
- HEPA FILTER WITH A 99.97% EFFICIENCY. ASSEMBLY LISTED UNDER UL507/CSA 22.2 No.113 &
- UL867/CSA 22.2 No.187
- BIPOLAR IONIZER MEETS UL 2998.

OPTIONS:

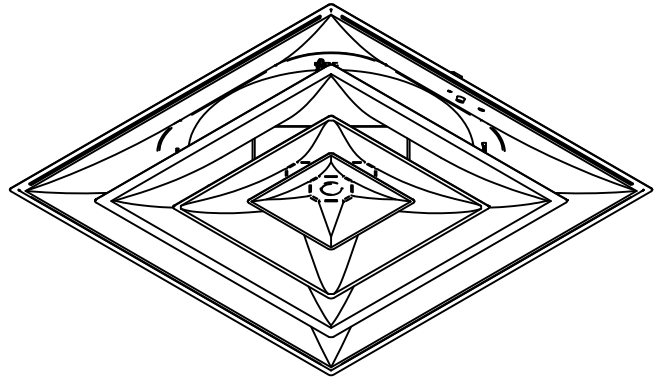
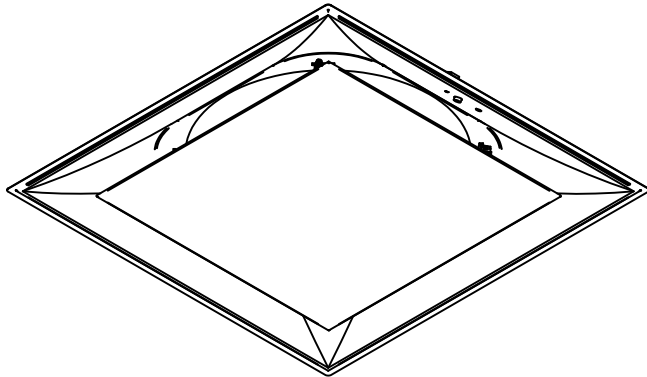
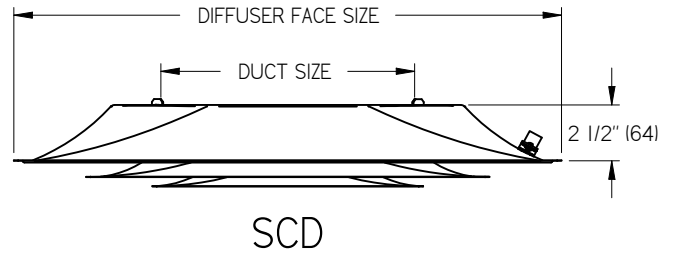
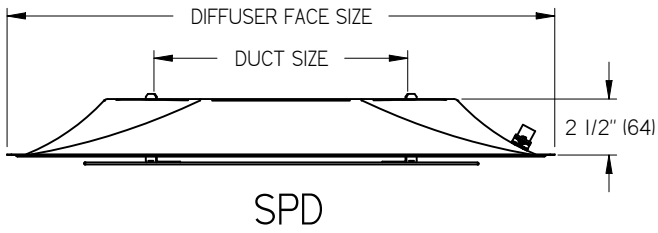
- DISCONNECT SWITCH (DSW)
- 2" MERV 13 FILTER IN LIEU OF HEPA
- UV LIGHT (UV)
- BIPOLAR IONIZATION (BPI)

DIFFUSER OPTIONS:

- SQUARE PLAQUE DIFFUSER (SPD)
- SQUARE CONE DIFFUSER (SCD)

ALL METRIC DIMENSIONS () ARE SOFT CONVERTED. IMPERIAL DIMENSIONS ARE CONVERTED TO METRIC AND ROUNDED TO THE NEAREST MILLIMETER.

PROJECT:		PRICE	
ENGINEER:		G	CAP
CUSTOMER:		273689	CEILING AIR PURIFIER HEPA RECIRCULATION UNIT
SUBMITTAL DATE:	SPEC. SYMBOL:	2022/04/05	

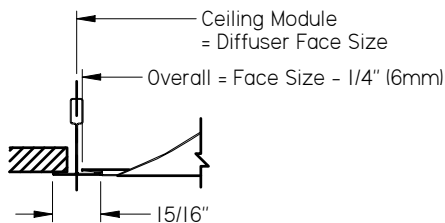


STANDARD CONSTRUCTION:

- Steel Construction
- 24" X 24" DIFFUSER FACE SIZE
- 22" X 22" CEILING OPENING
- B12 - Standard White

LAY-IN & SURFACE MOUNT FRAMES:

- 31 - 15/16" T-Bar Lay-in



ALL METRIC DIMENSIONS () ARE SOFT CONVERTED. IMPERIAL DIMENSIONS ARE CONVERTED TO METRIC AND ROUNDED TO THE NEAREST MILLIMETER.

PROJECT:		PRICE	
ENGINEER:		G	CAP SPD/SCD STYLE 31 MODULAR CEILING DIFFUSER
CUSTOMER:		273689	
SUBMITTAL DATE:	SPEC. SYMBOL:	2022/04/05	

Solid Edge